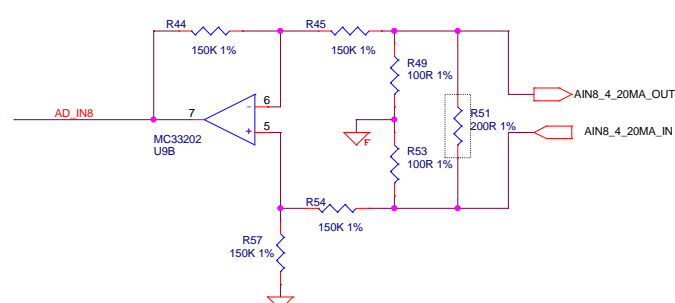
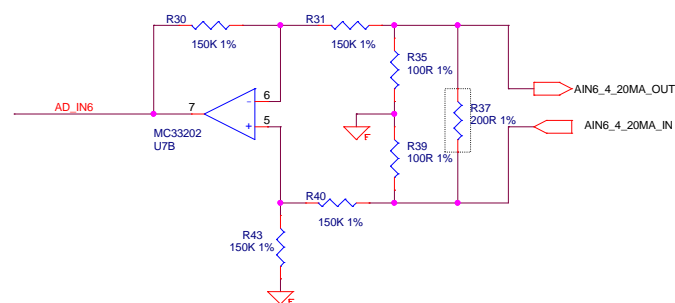
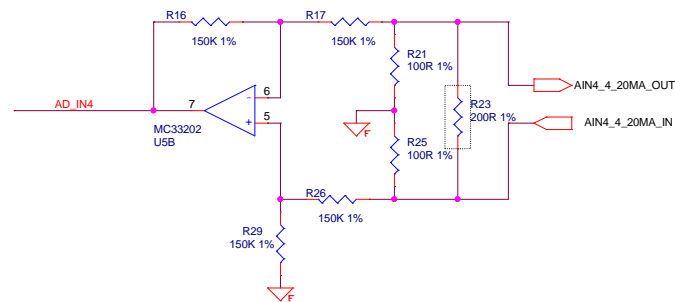
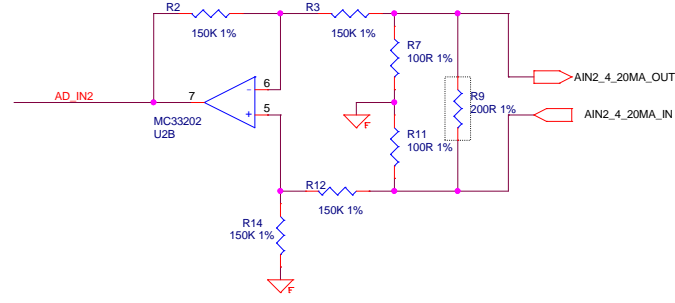
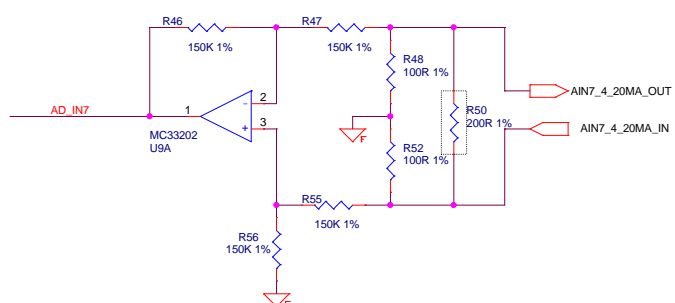
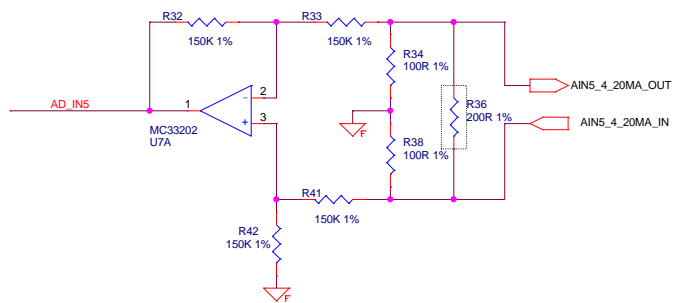
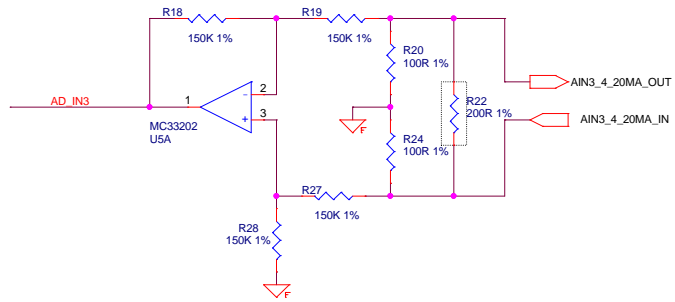
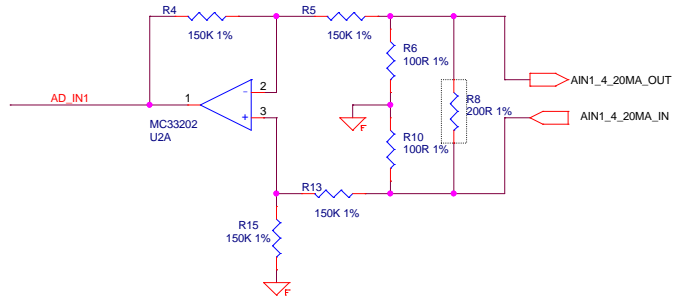
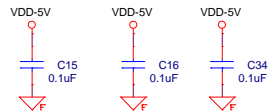
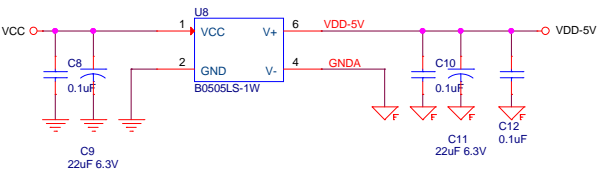
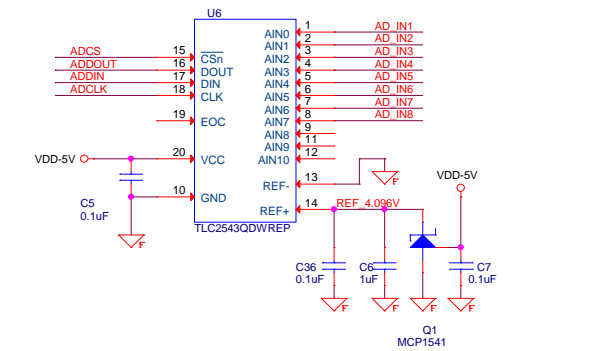
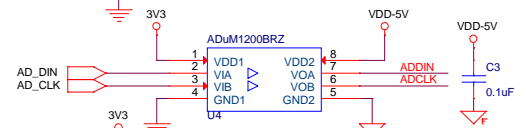
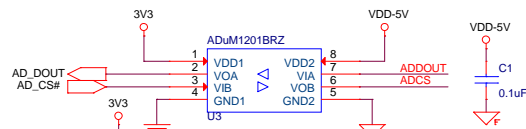
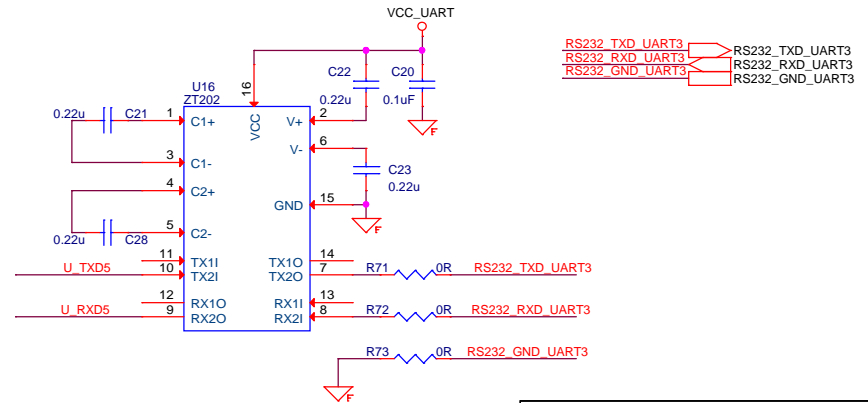
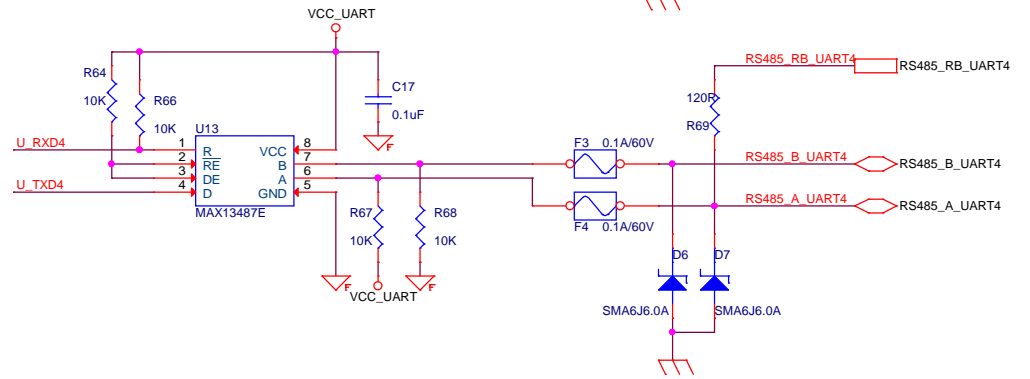
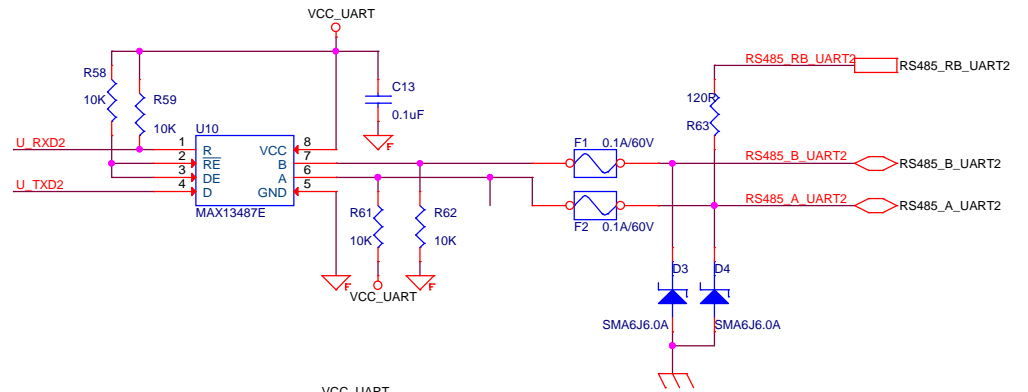
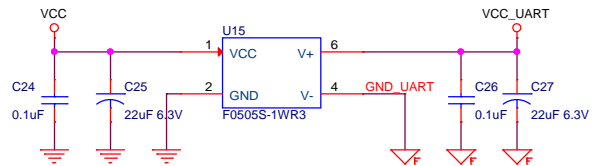
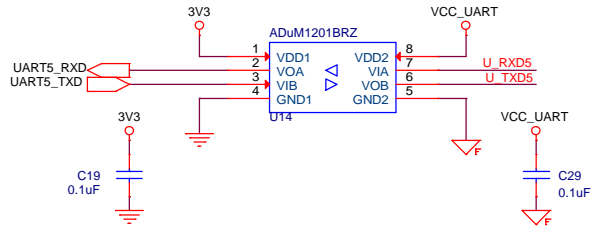
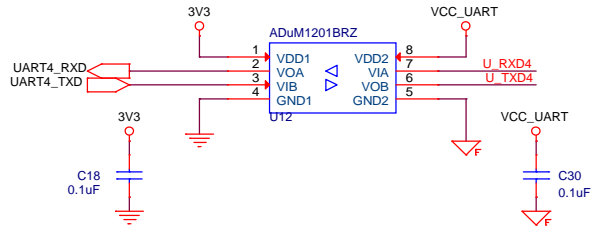
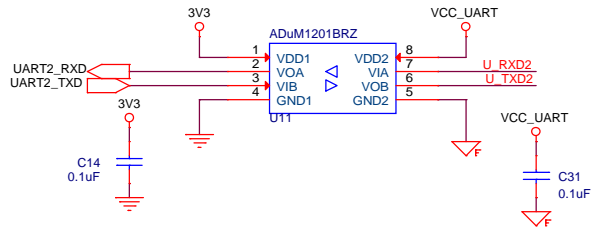


Title		
ETA105		
Size	Document Number	Rev
A	RS485&RS232	4.0
Date:	Wednesday, May 20, 2020	Sheet 1 of 3



Title		
ETA105		
Size	Document Number	Rev
A3	ADC	4.0
Date:	Monday, March 23, 2020	Sheet 2 of 3



Title		ETA105
Size	Document Number	Rev
B	RS485&RS232	4.0
Date:	Wednesday, May 20, 2020	Sheet 3 of 3